

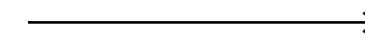
IKEA vs Howdens

HØLTE

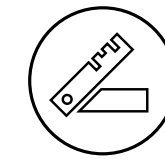
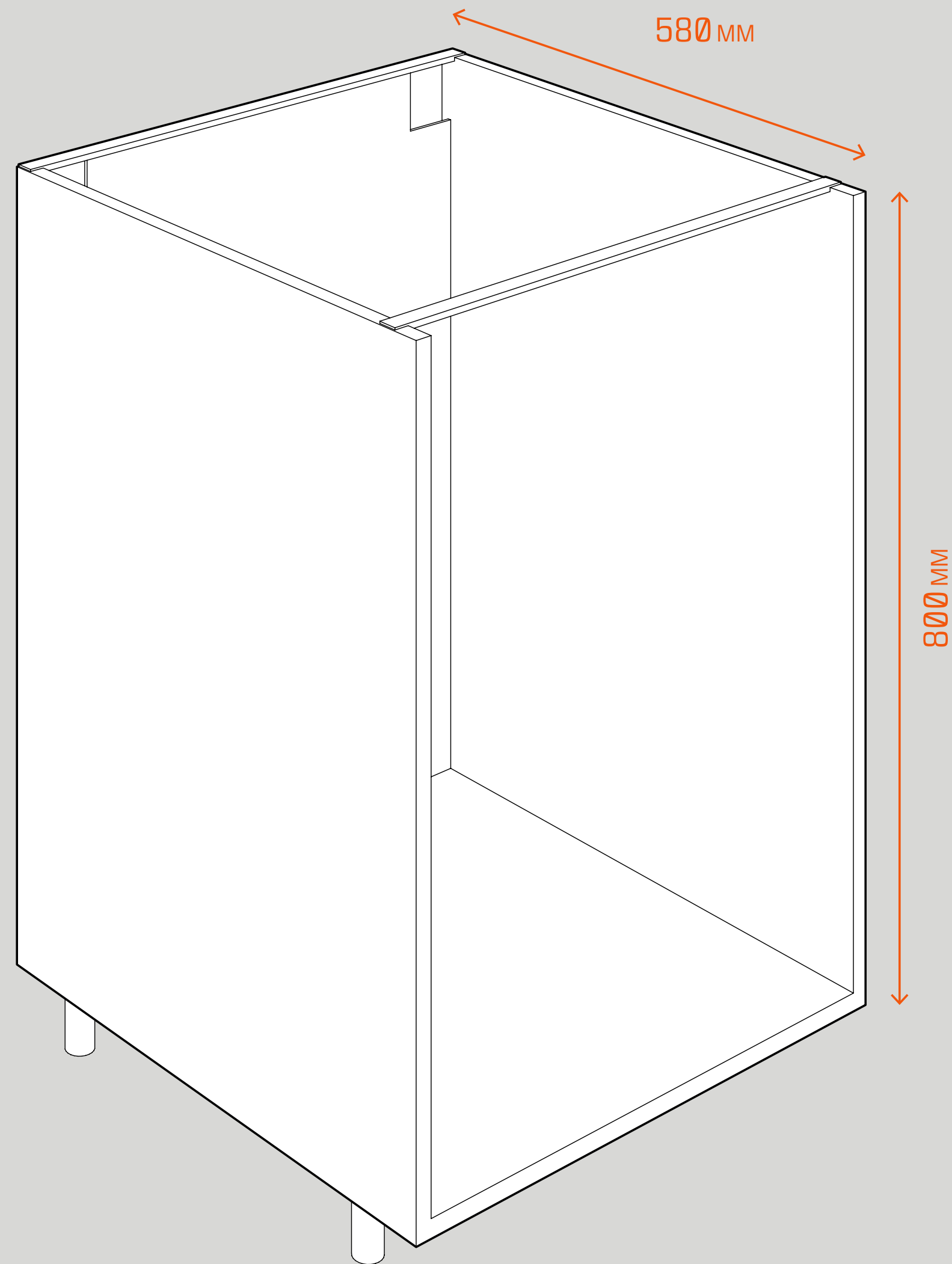


IKEA VS HOWDENS

Both with a 25 year guarantee
and built from 18mm thick MFC
(Melamine Faced Chipboard).



HØLTE



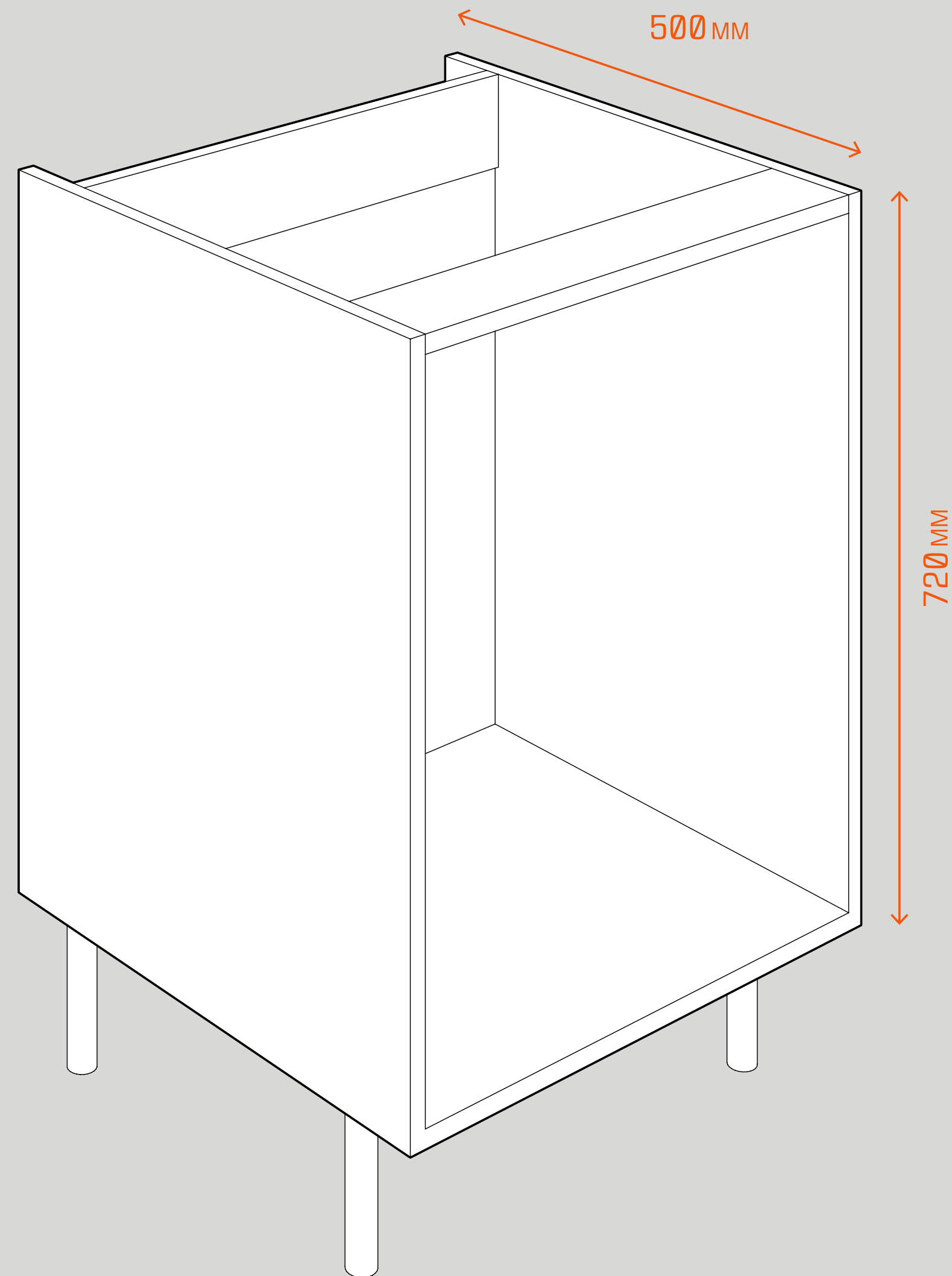
IKEA CABINETS

PROS

- Larger cabinet volume
800mm(h) x 580mm(d)
- 80mm plinth height
(contemporary aesthetic)
- More customisable
- Cheaper (cost balances if
allow for builder to build cabs)

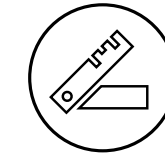
CONS

- Aluminium bracing bars
provide less rigidity
 - Flat pack (builder/customer
has to build cabs)
 - Cabinets only available in
white and wood effect black
-



HØLTE

IKEA VS HOWDENS



HOWDENS CABINETS

PROS

- Two options of wall cabinet depths
- Rigid construction (thicker back)
- Supplied pre built
- Available in white, natural oak, light grey oak effect

CONS

- More restrictive system
 - Smaller cabinet volume 720mm(h) x 500mm(d)
 - 170mm plinth height
 - More expensive
-

STUDIO
07960 976 895
0207 041 6015

hello@holte.studio

Unit G05 Northside Studios
16-29 Andrews Road
London E8 4QF

Monday to Friday 9am-6pm
Saturday 10am-5pm

holte.studio

HØLTE